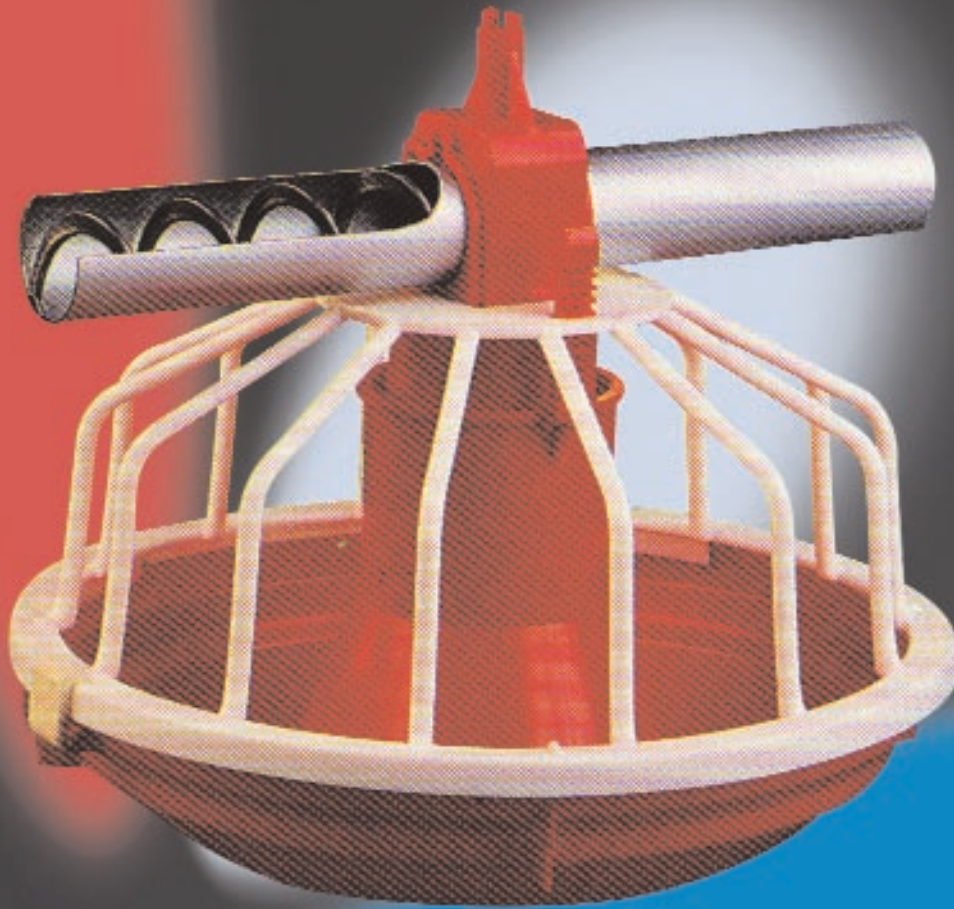


PROGRESS CLASSIC

Progress line, progression
in feeding systems



VDL Agrotech

Strength through cooperation



Progress Classic

The new generation in feeding systems

Progress Classic pan

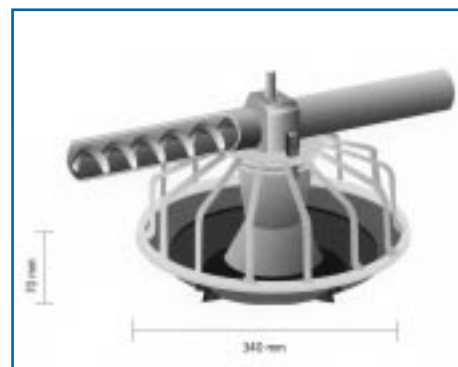
The classic pan is a pan with a proven record. The classic pan was first introduced 15 years ago and has since been installed in many countries all over the world. The characteristics of the classic pan are an example of user friendliness. The pan consists of 5 components, that once installed never need to be taken apart again. The pan-bottom is hinged to the grill, making it easy to clean out the pan without having to take off the bottom. The feedlevel adjustment is done by simply moving up or down the feedlevel adjuster, movement of the feedlevel adjuster is done from the outside of the pan, making it very userfriendly. The spokes of the grill are round shaped, minimizing the risk of damaging the birds.

Advantages

- Easy to operate
- High quality long life time product
- No sharp edges, preventing damaging of the birds
- Easy to clean, no need to disassemble
- Proven record
- Low feedwaste



The Progress Line can be supplied with various different drive units. Depending on application different r.p.m. gearbox motors are available, and besides the traditional classic drive unit, we can offer the progress drive unit, a standard basic economical drive unit. All other materials of which the complete system is built are standard high quality equipment.



Technical specifications

| | |
|---------------------------------------------------|-----------------------|
| Max. length feedline | 120 mtr. |
| Diameter conveyor tube | Ø 45 mm. |
| Capacity | 350 kg/hour |
| Distance between pans | 75-100 cm. |
| Number of birds/pan Males | 60-80 14 |
| Capacity feedpan min. max. | 0,65 kg. 1,6 kg. |
| Contents feedhopper | 175 ltr. |
| Motorpower Speed of gearbox | 0,37 kW 250 r.p.m. |
| Male feeder: Motorpower Speed of gearbox | 0,75 kW 500 r.p.m. |
| Progress drive: Motorpower Speed of gearbox | 0,55 kW 326 r.p.m. |

VDL Agrotech

Hoevenweg 1, Eindhoven
P.O. Box 8822, 5605 LV Eindhoven
The Netherlands.

Telephone: +31 (0)40 29 25 500
Telefax: +31 (0)40 29 25 501
E-mail: info@vdlagrotech.nl
Internet: www.vdlagrotech.nl

VDL Agrotech is continuously working on developing and perfecting its product range, which may result in changes to product specifications without prior notice.

